



[Custom
Molded
Rubber](#)



[Custom
Colors!!](#)

[Home](#)

[About PacTec](#)

[Contact Us](#)

Login

[Click Here to Register](#)

Username

Password

[Forget your login info?](#)

[View Cart \(0\)](#)

[Advanced Search](#)

[Connector Search](#)

News

Sign up for our latest news and new product updates!

Email:

TR_New_Design

External Dimensions: 7.7 x 4.4 x 1.25 in.

PCB Dimensions: 7.2 x 3.9 x 1.25 in.

Colors: Black
PC Bone

Materials: ABS-94HB
[Material Specs](#)

Components:

- Top and Bottom Covers
- Assembly Screws

 [Add To Cart](#)

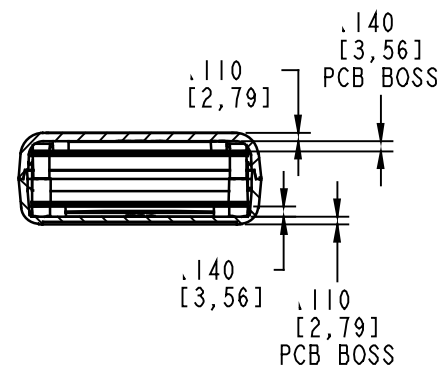
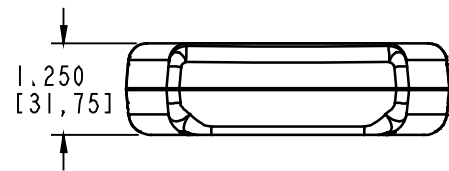
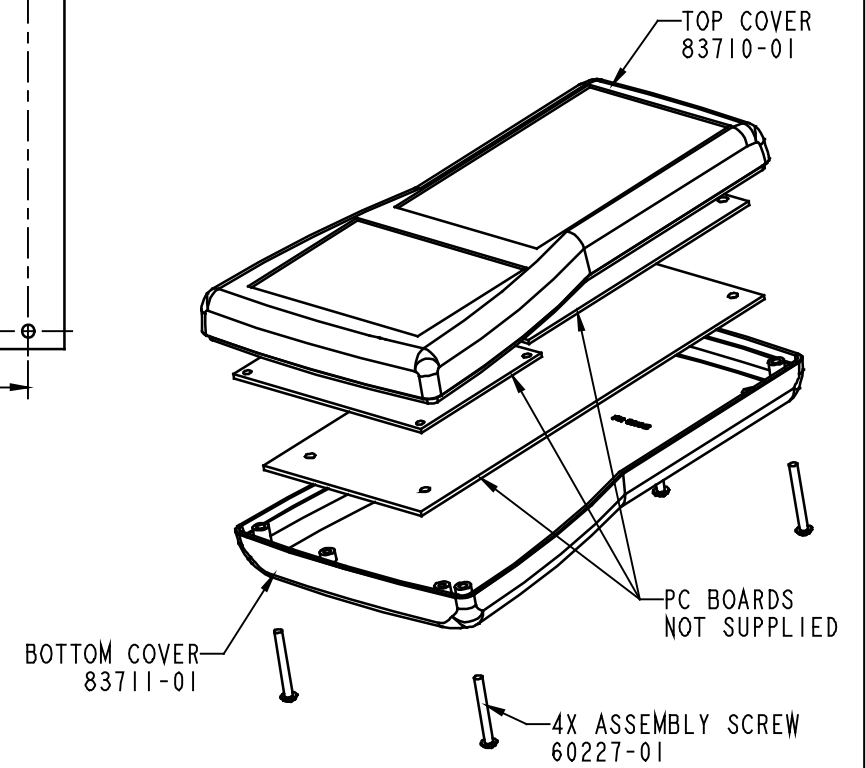
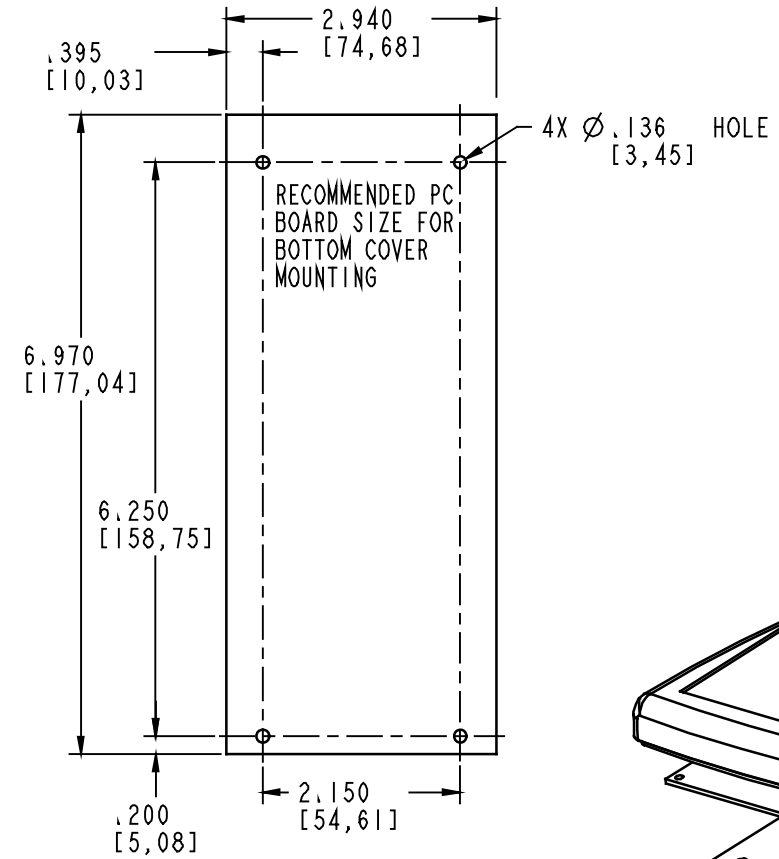
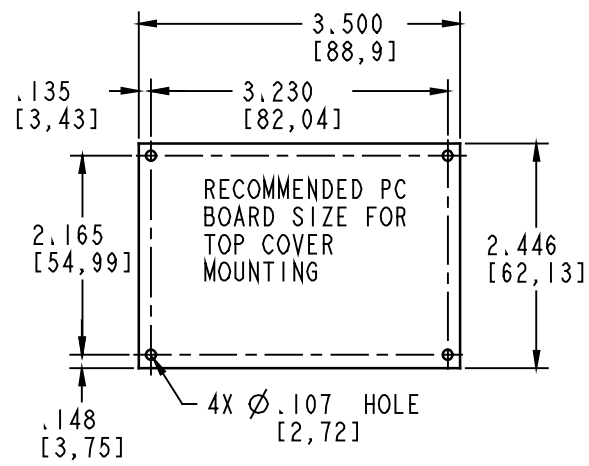
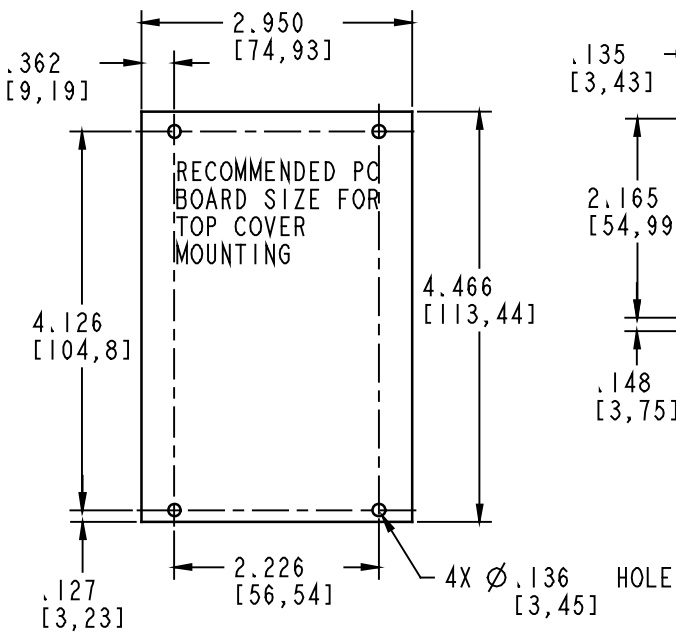
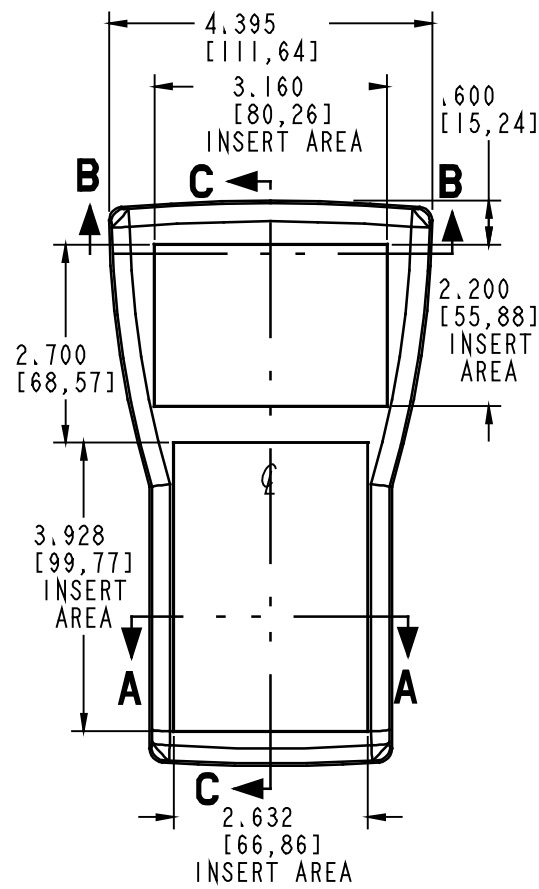


[Custom Colors!!](#)

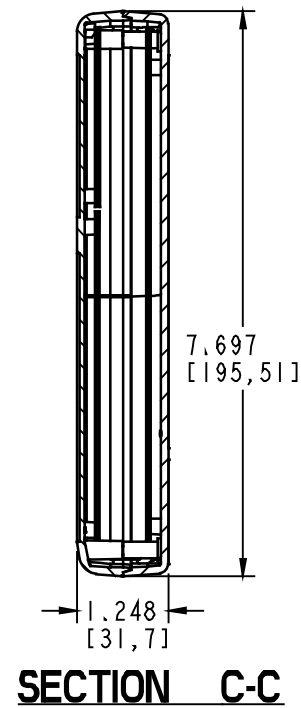
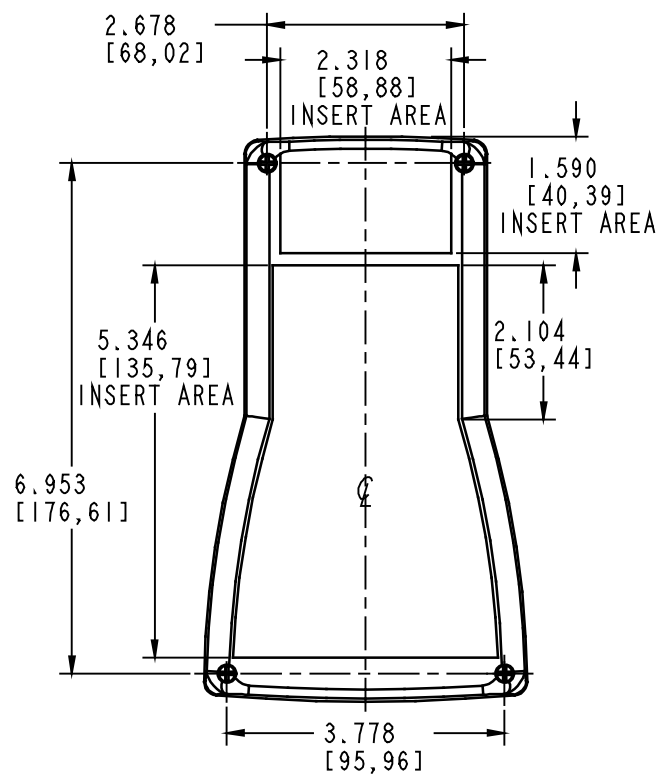


[Free Samples of
New Products Available!](#)

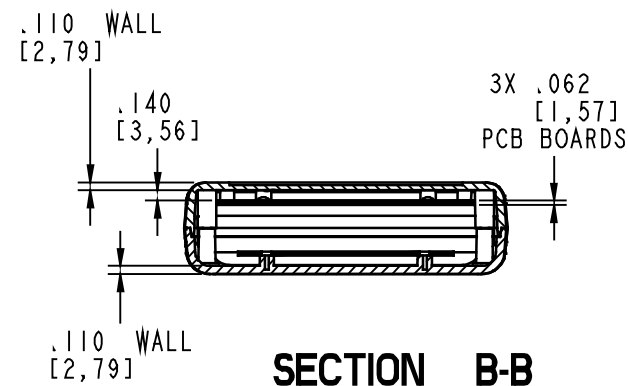




SECTION A-A



SECTION C-C



SECTION B-B

PACITEC®
 1-610-361-4200

TR

VISIT **PACITEC®**
 ON THE WORLD WIDE WEB
www.pacitecenclosures.com

COLOR / MATERIAL CODE		
COLOR	94HB	94VO
BLACK	000	028
P.C.BONE	039	060

DRAWING NUMBER	REV
83713	A